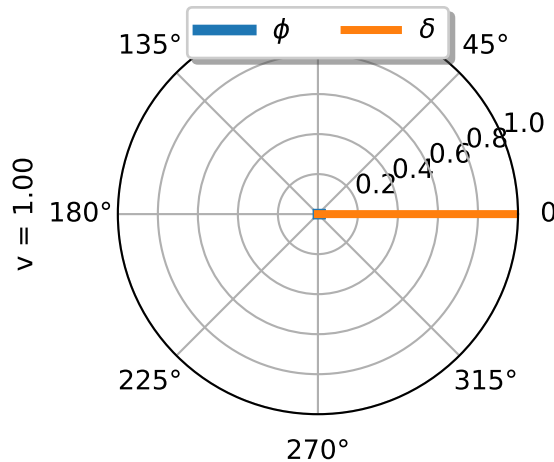


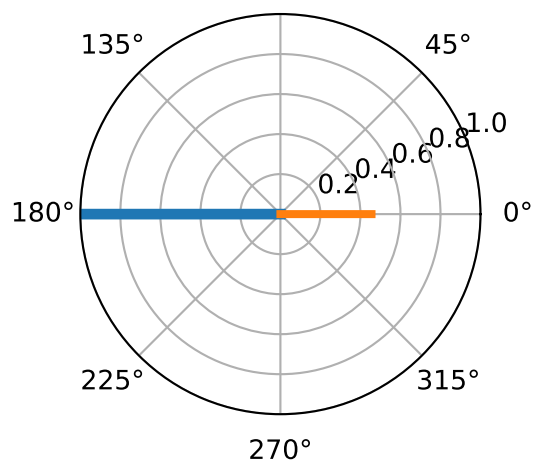
Eigenvalue: $-6.744+0.000j$

90°



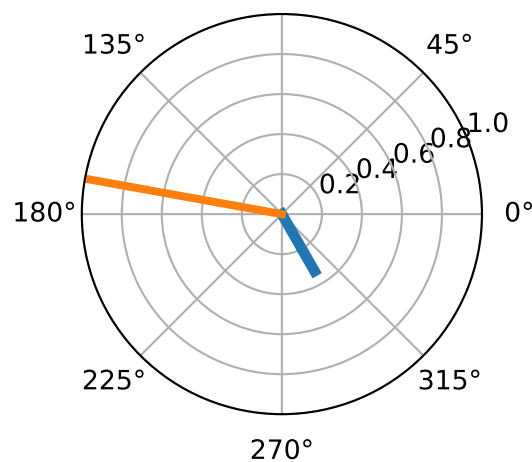
Eigenvalue: $-2.915+0.000j$

90°



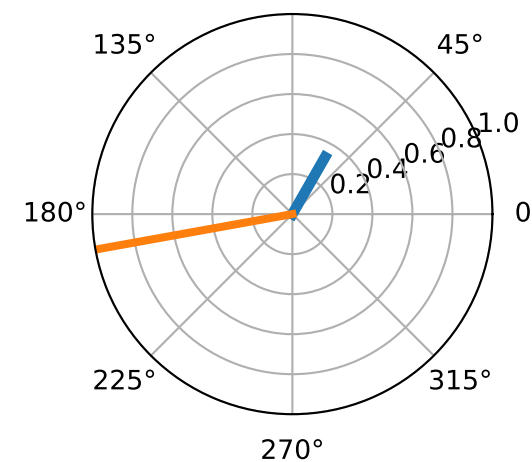
Eigenvalue: $3.392+0.611j$

90°



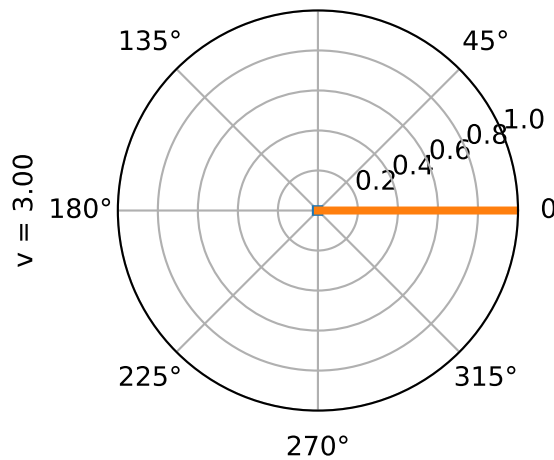
Eigenvalue: $3.392-0.611j$

90°



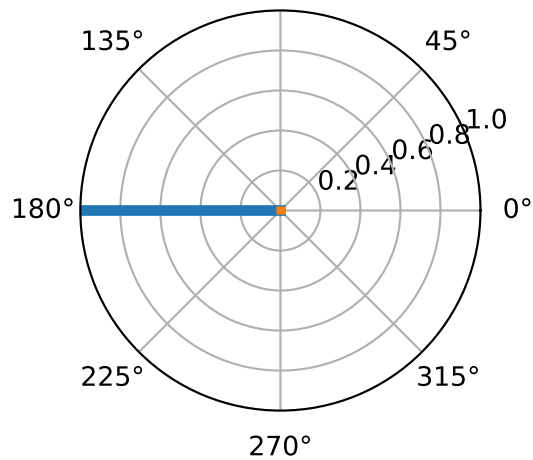
Eigenvalue: $-9.579+0.000j$

90°



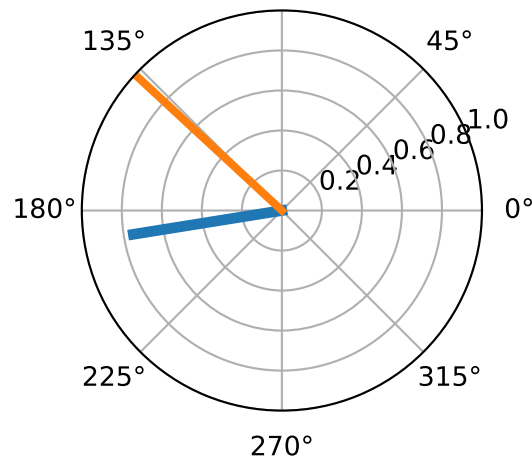
Eigenvalue: $-2.925+0.000j$

90°



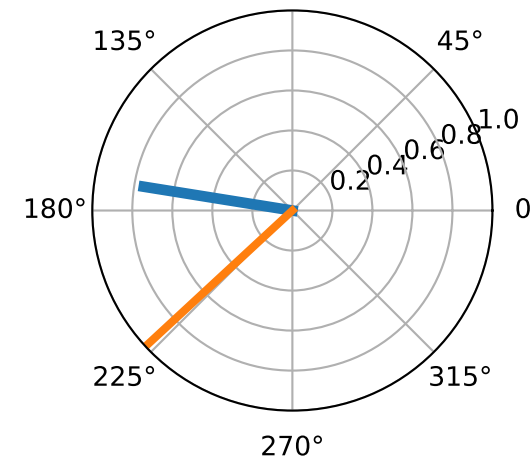
Eigenvalue: $1.941+1.796j$

90°



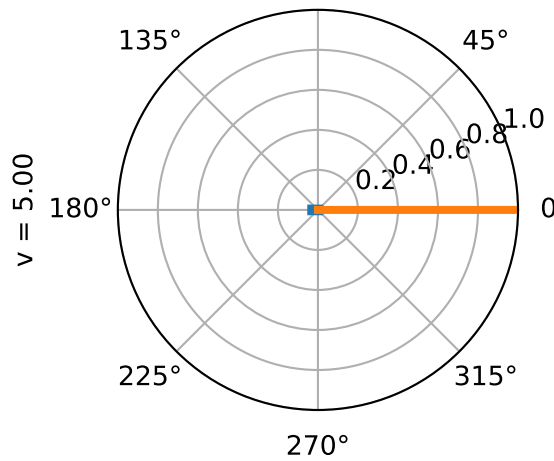
Eigenvalue: $1.941-1.796j$

90°



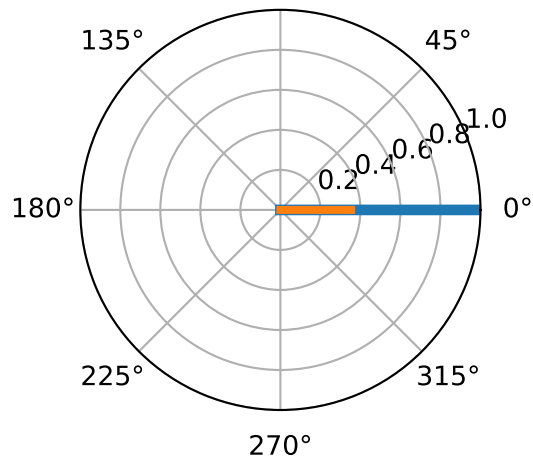
Eigenvalue: $-12.638+0.000j$

90°



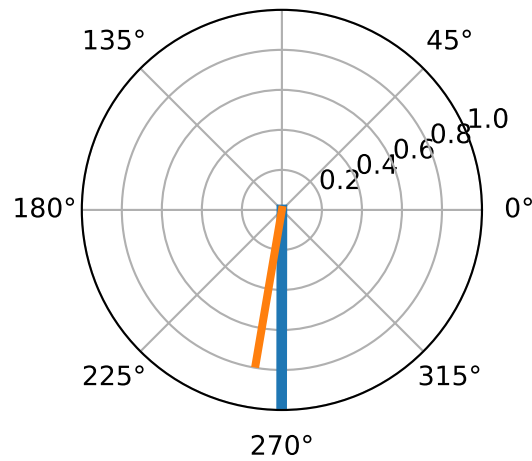
Eigenvalue: $-1.726+0.000j$

90°



Eigenvalue: $-0.003+2.350j$

90°



Eigenvalue: $-0.003-2.350j$

90°

